

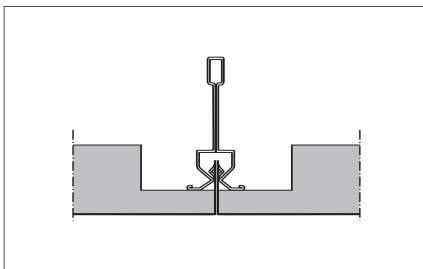
Clip-in and hook-on ceilings



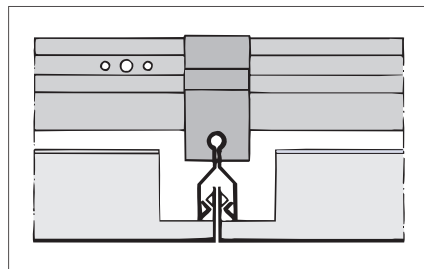
Concealed ceiling system.

Consists of two basic systems, hook-on and the clip-in, both can accommodate square tiles or rectangular panels. The hook-on system has been developed to support large ceiling panels in both length and width.

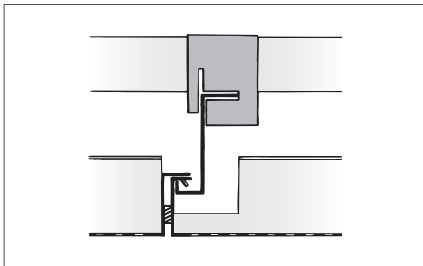
The clip-in system has a weight limitation and is restricted to panel sizes with a surface area of 1.0 m² or less. This system is easily accessible.



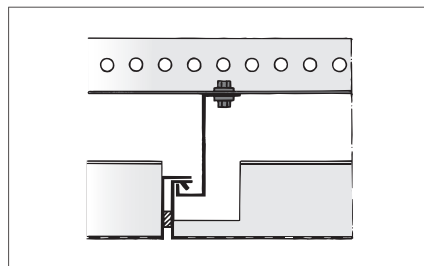
Clip-in system MA



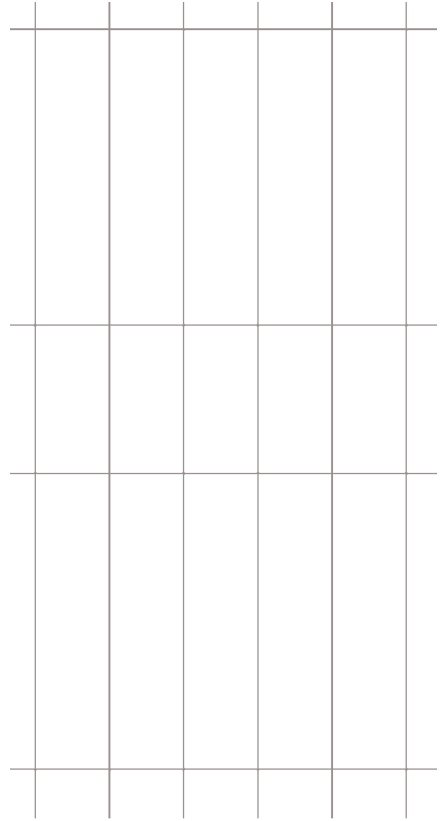
Clip-in system CC



Hook-on system MG



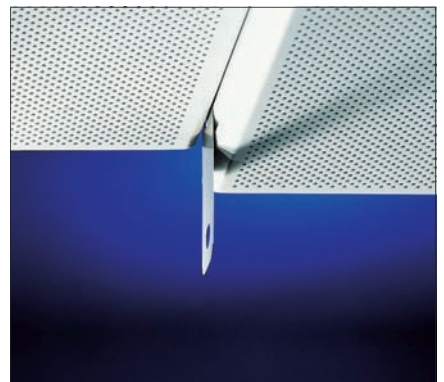
Hook-on system CZ



Clip-in and hook-on ceilings are also suitable for use in restricted void areas and with visible perimeter profiles when used as a ceiling island.

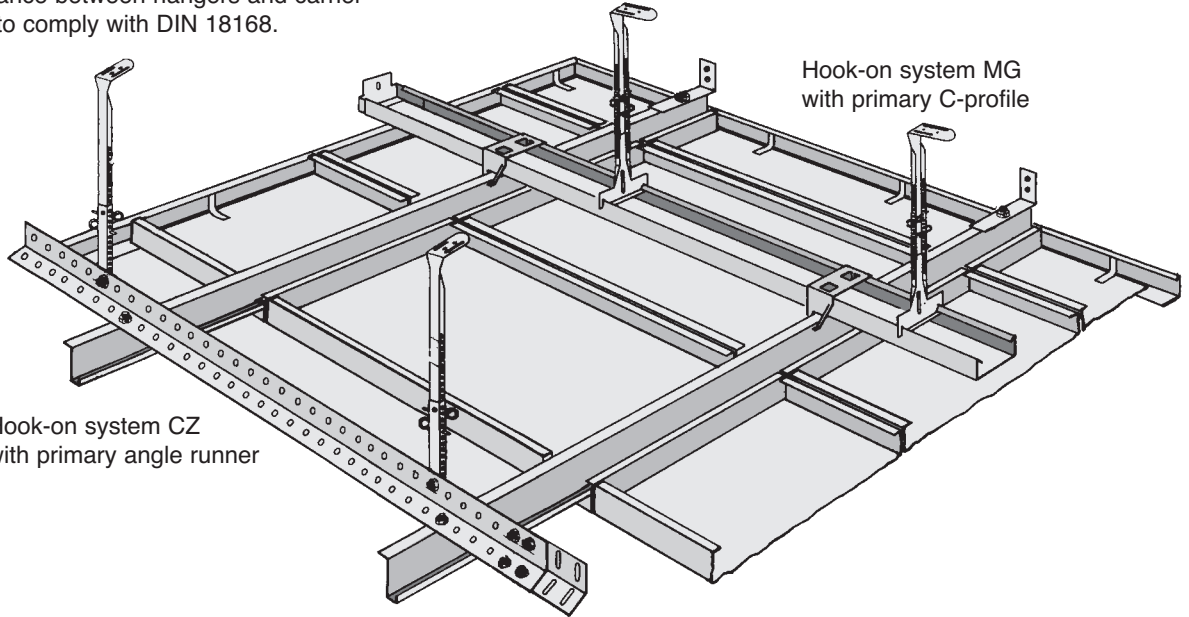


Removal of individual clip-in panels requires the use of a simple thin blade access tool which slides up into the joint and locks onto the top of the panel allowing it to be lowered and removed. Opening one or more individual swing panels provides simple and easy access to the plenum. They open from one side and hang vertically, supported by the two wings on the other side that remain firmly in the suspension grid.

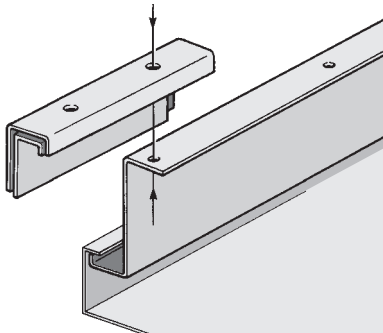


Hook-on system CZ / MG

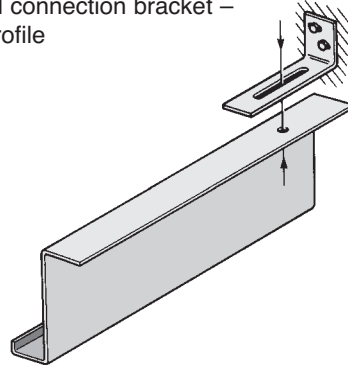
The distance between hangers and carrier centres to comply with DIN 18168.



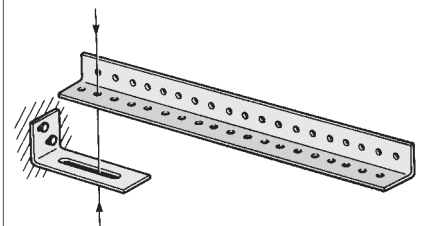
Splice - Z-profile



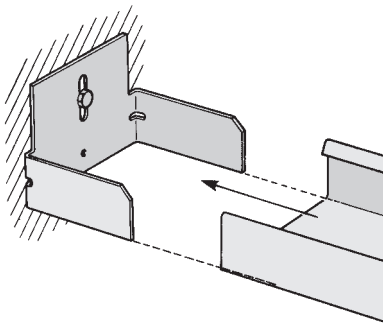
Wall connection bracket - Z-profile



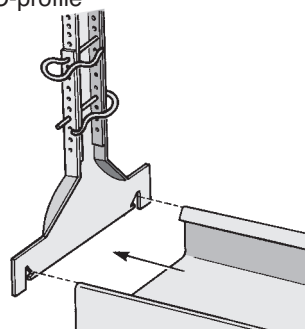
Wall connection bracket - primary angle runner



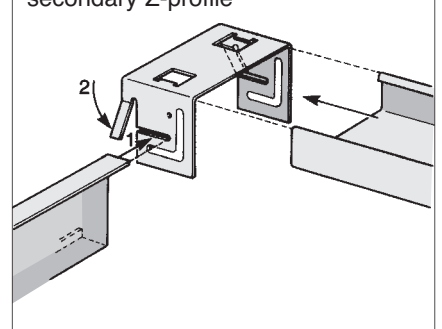
Wall anchor - primary C-profile



Nonius hanger (lower part) - primary C-profile



Cross connector - primary C-profile / secondary Z-profile



Component details for Hook-on system CZ and MG

Concealed hook-on systems can easily be combined with other suspension systems.

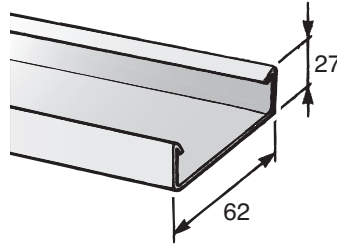
The suspension system consists of secondary Z-profiles and primary cross carriers (angle profiles CZ or C-profiles MG); together they guarantee a sturdy construction.

Rigid nonius hangers (upper and lower part) best support the hook-on ceiling system. The distance between hangers and carrier centres to comply with DIN 18168.

The ceiling panels can be installed without joints or with, using either neoprene gasket tape (3 mm) or spacer buttons (5 mm). Joints facilitate demounting. Chilled ceiling panels can also be made more accessible with the use of either hanger hooks or cables (See leaflets 4.1.5 and 4.1.6).

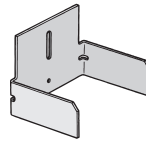
Primary C-profile (MG030G500H)

Material: 0.75 mm galvanized steel / L = 4000 mm



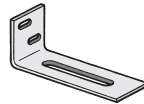
Wall anchor for primary C-profile (MG033X500H)

Material: galvanized steel



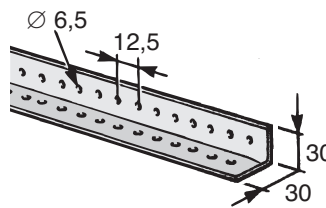
Wall connection bracket for Z-profile/primary angle profile (MG042X500H)

Material: galvanized steel



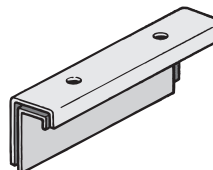
Primary angle runner

Material: galvanized steel
L = 4000 mm



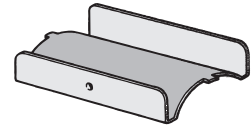
Splice for Z-profile (MG041X500H)

Material: galvanized steel



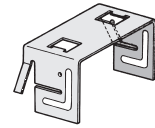
Splice for primary C-profile (MG031X500H)

Material: galvanized steel



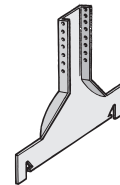
Cross connector for primary C-profile secondary Z-profile (MG032X500H)

Material: galvanized steel



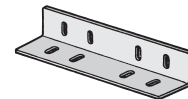
Nonius hanger (lower part) for primary C-profile (MG034X500H)

Material: galvanized steel



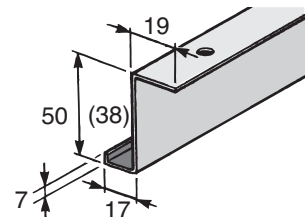
Splice for angle runner

Material: galvanized steel

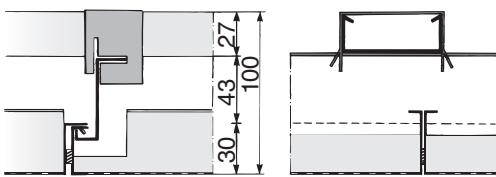


Z-profile (MG040G500H)

Material: galvanized steel



Cross section ceiling type MG with primary C-profile
Execution with or without joints



Cross section ceiling type CZ with primary angle runner
Execution with or without joints

