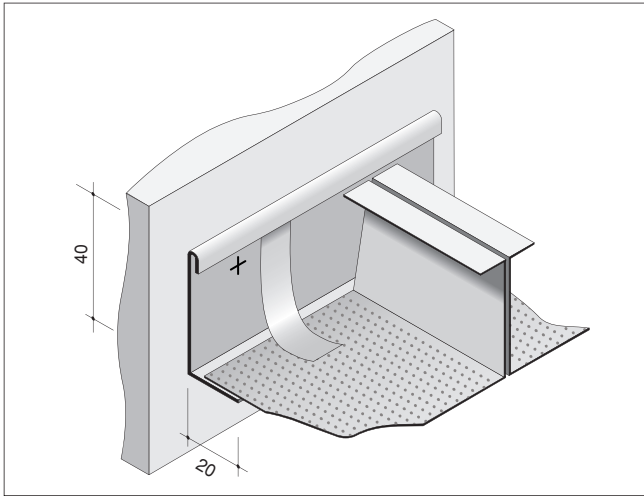


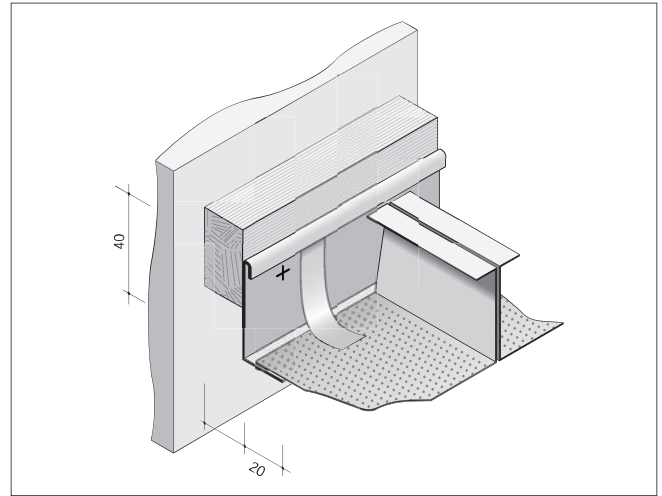
Ceiling perimeter trim finishing details at partitions and walls

| | |
|--|--|
| <p>Edge trim with hold-down clip 40 x 20 x 1.0 mm Standard length: 3,000 mm hold-down clip</p> | |
| <p>F-shaped edge trim 25 x 25 x 1.0 mm Standard length: 4,000 mm</p> | |
| <p>Shadow edge trim 24 x 12 x 10 x 19 x 0.5 mm 25 x 15 x 8 x 15 x 0.5 mm 20 x 20 x 20 x 20 x 0.7 mm Standard length: 3,050 mm 25 x 25 x 25 x 1.0 mm Standard length: 4,000 mm</p> | |
| | |
| <p>F-shaped shadow edge trim 25 x 25 x 25 x 1.0 mm Standard length: 4,000 mm</p> | |
| <p>Two-part shadow U-shaped edge trim With edge trim 30 x 40 x 1.0 mm Standard length: 4,000 mm U-shaped edge trim 20 x 36 x 20 mm hold-down clip</p> | |
| <p>Edge trim 24 x 24 x 0.7 mm 24 x 24 x 0.5 mm 32 x 19 x 0.5 mm 24 x 19 x 0.5 mm Standard length: 3,050 mm 25 x 25 x 1.0 mm Standard lengths: 4,000 mm or 5,000 mm</p> | |
| <p>Wall channel 40 x 20 x 0.5 mm Standard length: 3,050 mm</p> | |

Edge trim with hold-down clips

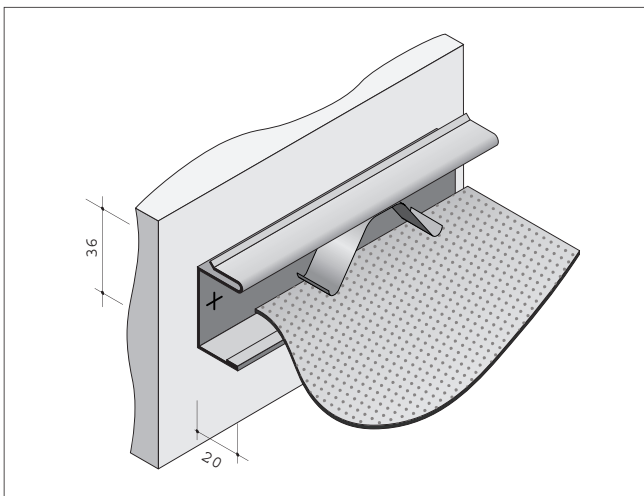


Edge trim
20 x 40 x 1.0 mm steel
hold-down clip

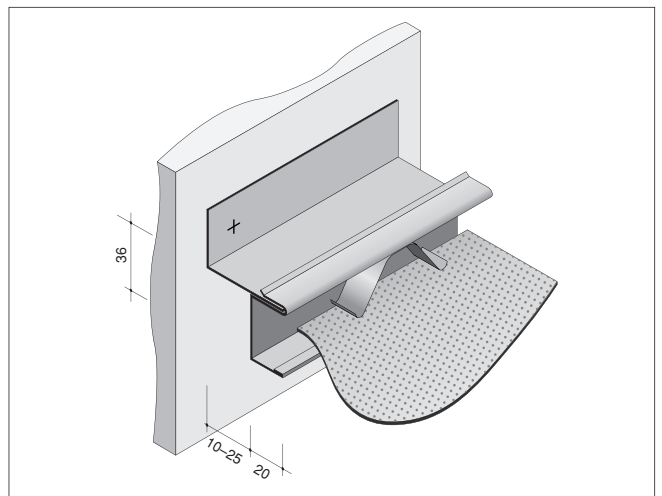


Shadow edge trim
With recess filler strip

U-shaped edge trims

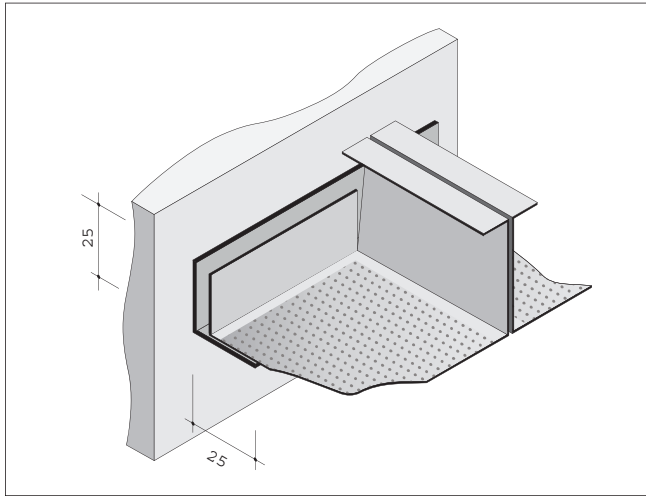


U-shaped edge trims
20 x 36 x 20 mm steel
hold-down clip

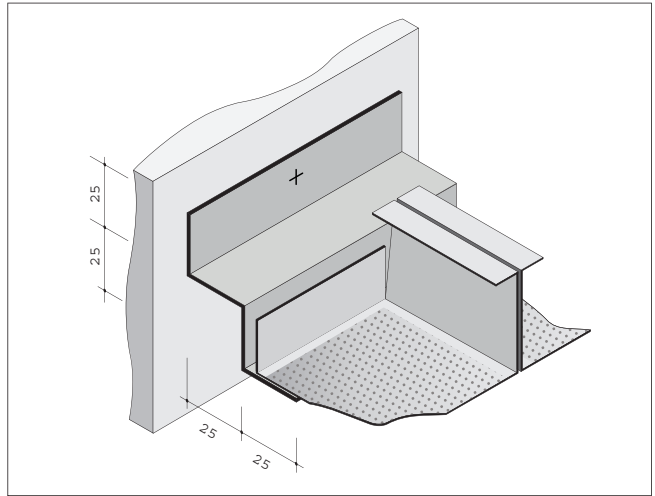


Two-part shadow U-shaped edge trim
Edge trim 30 x 40 x 1.0 mm
U-shaped edge trim 20 x 36 x 20 mm
hold-down clip

Edge trim and shadow edge trim



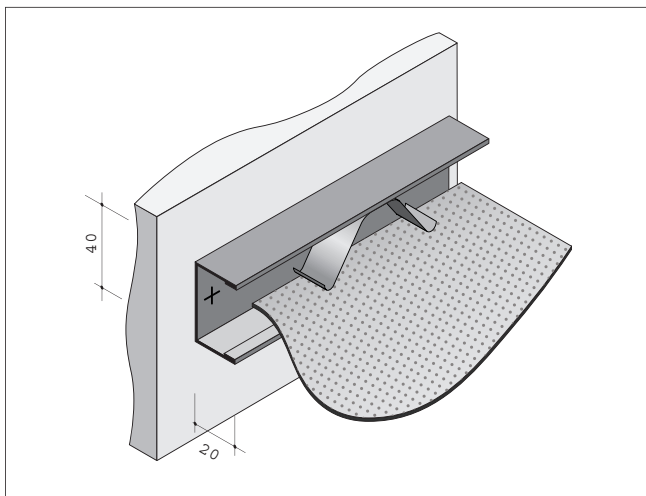
Edge trim
25 x 25 x 1.0 mm steel
other dimensions on request



Shadow edge trim
25 x 25 x 25 x 1.0 mm steel



Wall channels



Wall channel with hold-down clip
40 x 20 x 0.5 mm
standard length: 3,050 mm