



DAMPA Panel LTX PR-U

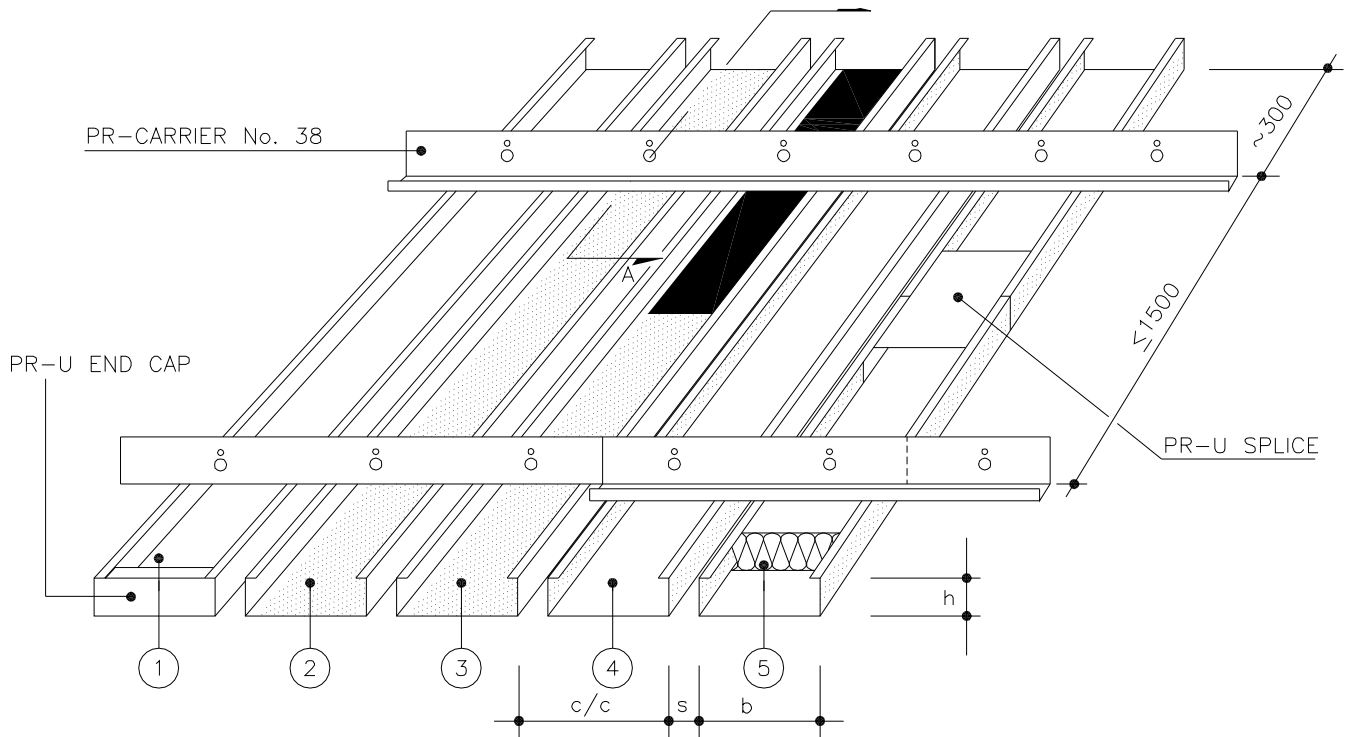
PR-U profiles are a complete system designed with exposed suspension system. The open gap between each element can be adjusted to customer choice, and creates a wide range of design and functional options.

PR-U profiles provides an extensive range of design options, with several combinations of width, height and modules.

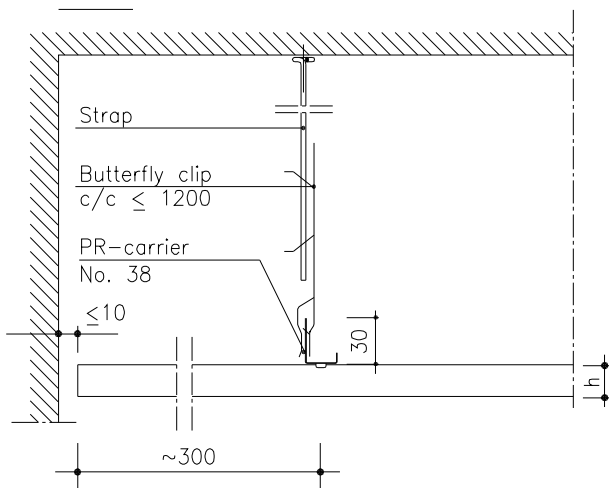
All profiles are clipped on from below, without the use of tools, and each unit can be removed and reinstalled individually, thus providing easy access in case of service or maintenance in the space above the ceiling.

The open gap between each element is 20 mm as standard, and various possibilities can be produced on request.

PR U profiles are manufactured in various executions with out perforation, or with perforation of the vertical or horizontal flange.



A - A



- ① = PR-U; unperforated without acoustic inlay
- ② = PR-UR; perforated from the bottom when width >60 mm
- ③ = PR-URT; perforated with acoustic inlay >60 mm
- ④ = PR-UR; perforated from the sides when width <60 mm
- ⑤ = PR-URT; perforated from the sides and wool in plastic
If color is LTX-101 standard white, the standard inlay is acoustic felt

STANDARD PR-U -PROFILE

Material	0.4 Al			0.5 Al		0.7 Al	
	30	40	50	60	80	100	180
Width b, mm	30	40	50	60	80	100	180
Height h, mm	40	35	30	25	25	20	25
Length	1250-6500 mm						
Air space s	20 mm						
Perforation	-						
- width <60 mm	ø2.0 mm at the sides						
- width 60-100 mm	ø1.1 mm at the bottom						
- width 180 mm	ø2.0 mm at the bottom						
Inlay	-						
- width ≥60 mm	acoustic felt						
- width <60 mm	wool in plastic If the color is LTX-101 standard white, standard inlay will be acoustic felt.						
Finish	stove enamelling						

SPECIAL PR-U -PROFILE

Material	0.7 Al, 0.5 Fe, 0.5 Al						
	20	30	30	50	70	135	140
Width b, mm	20	30	30	50	70	135	140
Height h, mm	45	30	50	45	20	27.5	25
Length	<1250 mm						
Air space s	20 mm						
Perforation	ø2.0 mm at the sides or bottom						
Inlay	wool in plastic						
Finish	plastic coating (Fe) high gloss anodized (Al)						
PR-list for diagonal mounting (45°)	Will be used with profiles of width of ≥50 mm. Air space according to order but ≥10 mm.						
Other special solutions	Please, contact our technical information department.						

All products are subject to modifications without prior notice. 2008

